

DIMAX 545 plus P

Item no.: 5450130

Time and light control Dimmer

Description

- Universal dimmer for R, L and C loads with automatic load detection
- Operation by button or app via Bluetooth Low Energy
- Adjustable minimum brightness for LEDs
- Adjustable dimming response
- Adjustable staircase light function
- App for Android and iOS
- Time functions
- Astronomical functions
- Night break
- Optimised settings for LEDs, incandescent lamps
- Easy installation thanks to a highly compact housing
- Ideal for all dimmable LEDs and halogen lamps
- Memory function saves the most recently set light level value and then dims to this value the next time it is switched on
- Convenient snooze function
- Special load setting
- Sequential scenes
- Password protection possible
- „Gentle“ lamp-conserving function for switching on and off
- Automatic detection of the load type
- Overheating protection against overload
- Short-circuit protection

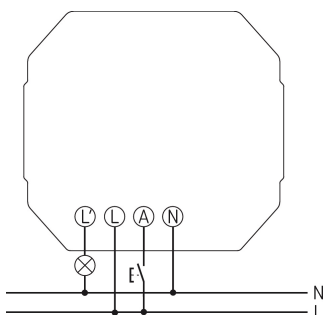


Technical data

DIMAX 545 plus P	
Operating voltage	230 V AC
Frequency	50 – 60 Hz
Installation type	Flush-mounted
Stand-by consumption	~0.15 W
Incandescent/halogen lamp load	250 W

DIMAX 545 plus P	
Transformer electronic (C)	250 W
LED lamp	Trailing edge: 250 W
Programmierung per App	✓
Ambient temperature	-25°C ... 45°C

Connection example



Subject to technical changes and misprints

additional information at: www.theben.de/product/5450130

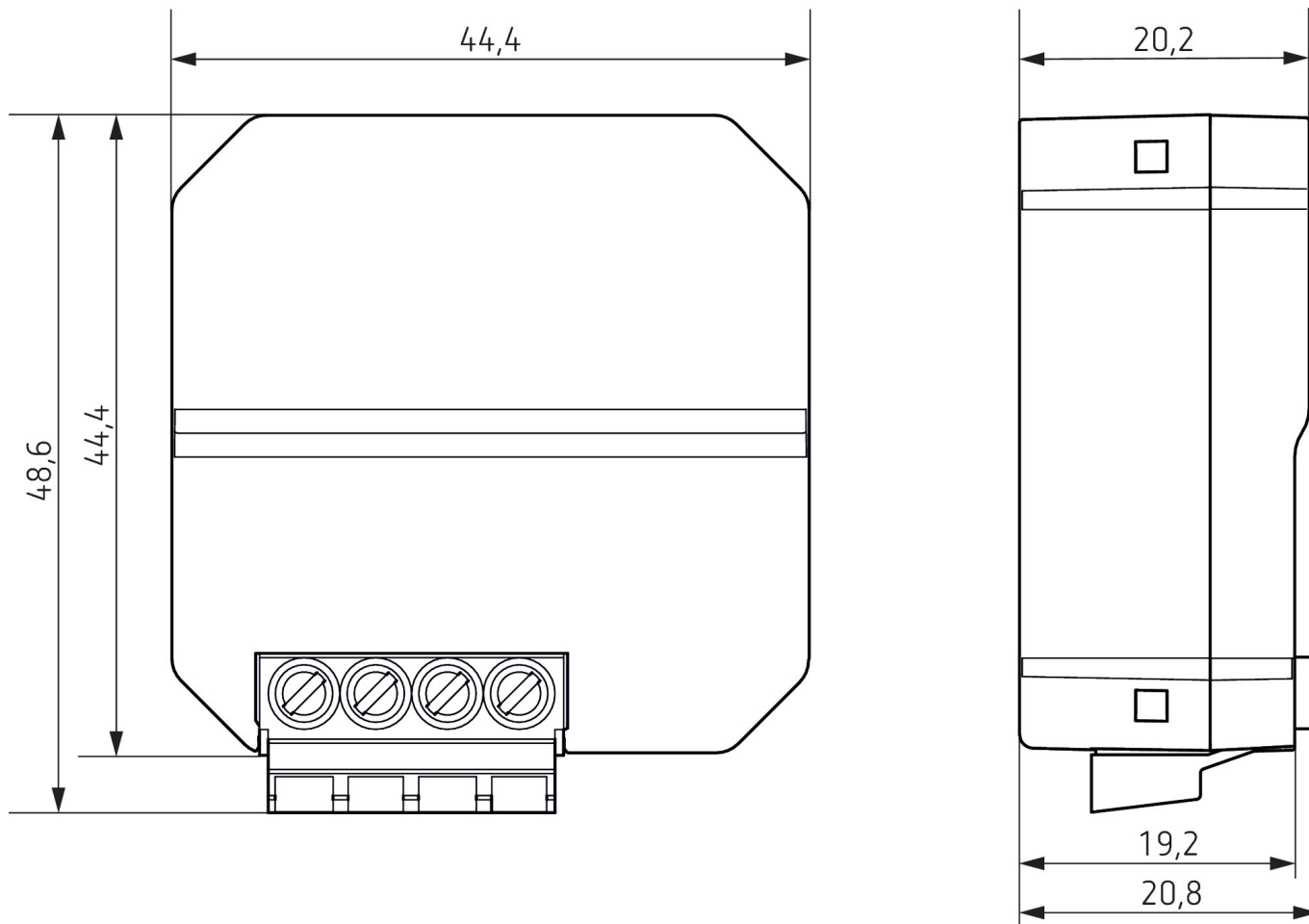
The load data are determined with exemplary selected illuminants and are therefore typical data due to the large number of available products.

DIMAX 545 plus P

Item no.: 5450130

theben
energy saving comfort

Scale drawings



Accessories

Compensation module LED

Item no.: 9070825



Subject to technical changes and misprints

additional information at: www.theben.de/product/5450130

The load data are determined with exemplary selected illuminants and are therefore typical data due to the large number of available products.

13/10/2021

Page 2 of 2